



## User's Manual mGuide GST G3

### Parts list

Radio x1, Battery x1, Adaptor x1, Belt Clip x1, USB cable x1, Hand-Strap x1, User's Manual x1

### Basic Parameter

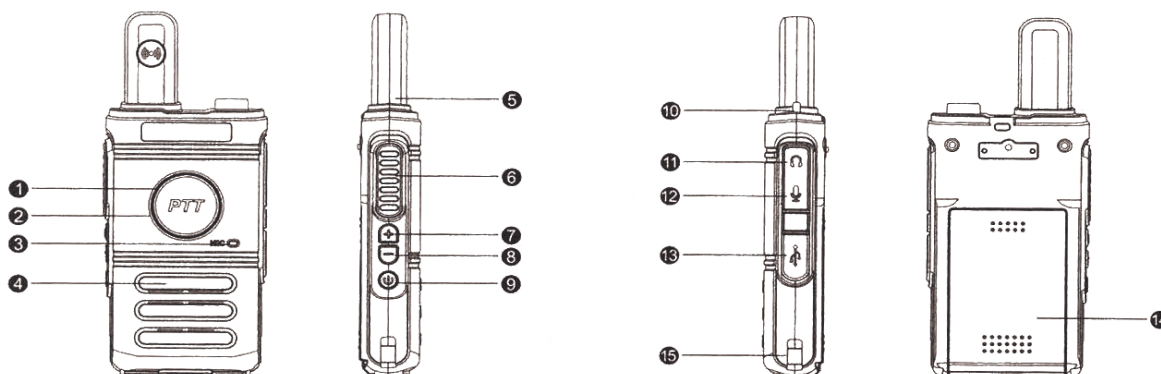
Size: 130x55x22

Weight: about 97g

Channels: 16

Operating Voltage: 3.3-4.2V DC

Working Temperature: -20°C ~+ 50°C



1. PTT
2. Light
3. Mic
4. Speaker
5. Antenna
6. Side key PTT
7. Channel +

8. Channel -
9. Power on/off Switch
10. Earphone Interface
11. Microphone Interface
12. USB Interface
13. Battery Cover
14. Charger Contacts

### Indicator

Green light flashes when the radio is receiving. Red light flashes when the radio is transmitting.

### Channel Switch

Choosing the desired channel to communicate from 1-16. When the UP button is pressed, the channel rises. When the DOWN button is pressed, the channel drops and the channel loops.

**Power Switch**

Press the power switch key for about 2 seconds to turn on the radio. When the radio needs to turn off, press the power switch key for about 2 seconds to turn off.

**PTT**

The radio has two PTT switches on the side and the front. Press PPT and face the microphone to communicate with the others. Red light flashes. Release PTT to receive and the green light flashes.

**Monitor**

Long press channel UP key can turn on the receiving and monitor function for a long time, and then press it to turn off the monitor function.

**Squelch level**

The purpose of the squelch is to mute the speaker when no signals are present:

Lower squelch level, high background noise, longer communication range, weaker anti-interference.

Default squelch level is 5 and can be programmed level 0-9 by PC.

Level 0 is to open the squelch. The higher the selected squelch level: the stronger the signals must be when receiving.

**TOT**

This function can prevent users occupying the present channel for a long time and limit TX time, meanwhile preventing radio from damage by long time transmitting. If radio continues TX over the limit time (set by the programming software), radio will quit TX and send a warning sound. To stop the warning sound, release the PTT, and the radio will return to the receiving state. When TX over time, through the bell to carry out early warning in advance (setting by program software).

**Scan**

When the radio enters 16 channels, it enters the scanning function automatically.

**CTCSS**

Check the Hopping option of the program, CTCSS can become Non-standard TONE, increasing voice privacy.

**Voice Selection**

Please choose the desired language by PC program software.

**Power Saving Function**

Please select to active or disable the power save function by PC program software.

**Battery Voltage Alert**

When the battery voltage is lower than a certain level, the voice will sound "please charge", and prohibit transmitting.

**Busy Channel Lockout**

If radio programmed with BCLO, pressing PTT to prohibit TX after receiving the signal.

**High /Low Power Switch**

Radio default setting is high power. You can switch high/low power by using PC programming software.

**Narrow Band Selection (12.5KHz)**

Radio default setting is narrow band.

## VOX

Enable or disable VOX by PC programming software. When your radio turns on the VOX function, talking to the microphone, then voice will be sent out; Stop talking, then radio will be in the receiving state. When you use the earphone, you need to adjust the VOX level to an appropriate level. If the microphone is too sensitive, the noise will activate transmitting; if the microphone is not sensitive enough, your voice will not activate transmitting. In order to communicate successfully, please adjust to the appropriate level.

## Scrambler

Enable or disable the scrambler by PC programming software. Scrambler function is one encryption method. It passes through the spectrum to complete the purpose of changing the transmission spectrum and receiving the signal to restore, so as to achieve encryption effect.

## QT/DQT

You can set the CTCSS/DCS by PC programming software. When the channels are set to the CTCSS/DCS, squelch can be turned on when received a signal with the same CTCSS/DCS. If the same channel uses a different QT/DQT, the squelch can not be turned on and the light will be green.

- QT(total 50)
- DQT:(total 1104\*2)

## Charging Indicator

The charger is charged by the Android data line. When charging, the indicator light is red.

## Channel Locking Function

Long press the channel DOWN key to hear the "beep" twice, then the channel is locked in the currently set channel. Long press the channel "DOWN" key to unlock the channel after hearing the sound of "di," and the channel switch can operate normally.

## Troubleshooting

Symptom	Try This
No power	<ul style="list-style-type: none"><li>• The battery maybe run out, please renew it or recharge it.</li><li>• The battery may not be properly installed. Please take it off and reinstall.</li></ul>
Battery lasts a short time after charge	<ul style="list-style-type: none"><li>• The battery life is over, please replace the new battery.</li></ul>
Unable to speak to other members in the group	<ul style="list-style-type: none"><li>• Verify the frequency and QT/DQT settings you are using are the same with other members in the group.</li><li>• Verify transmitting is within effective operating range.</li></ul>
Hearing other conversation on a channel (not group members)	<ul style="list-style-type: none"><li>• Please change the QT/DQT settings of all radio in this group.</li></ul>
Radio continue squeak	<ul style="list-style-type: none"><li>• Radio channel is an empty channel. please switch to another channel or write frequency point before use.</li></ul>

## Service and distribution



**Mexpo Sp. z o.o.**  
ul. Kazimierza Pułaskiego 8  
81-368 Gdynia

+48 58 550 10 25  
+48 22 39 81 699

[www.systemtourguide.co.uk](http://www.systemtourguide.co.uk)  
[office@systemtourguide.com](mailto:office@systemtourguide.com)