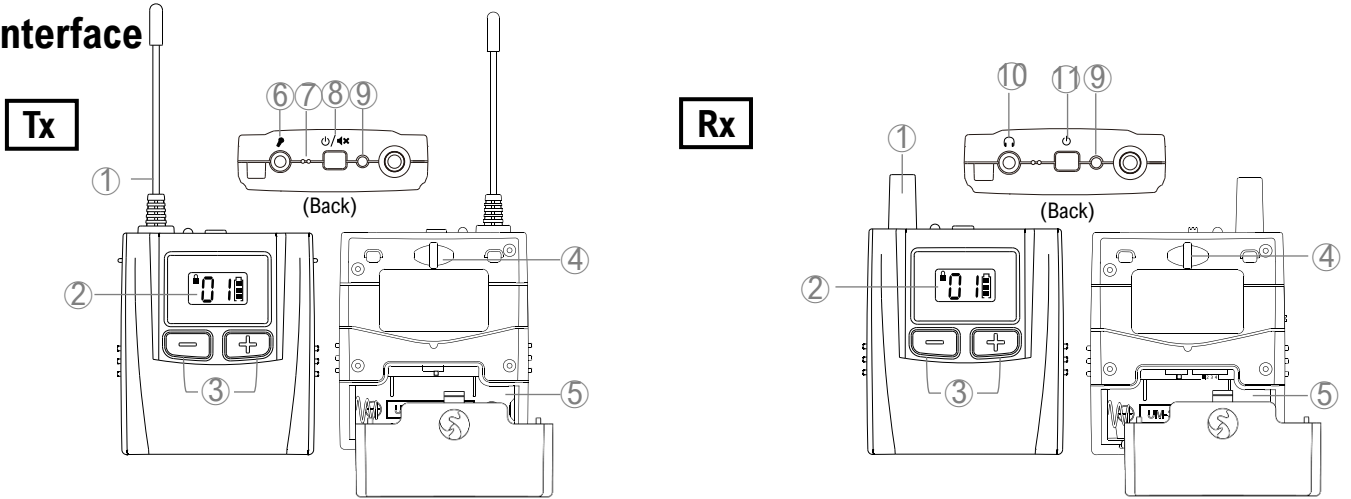


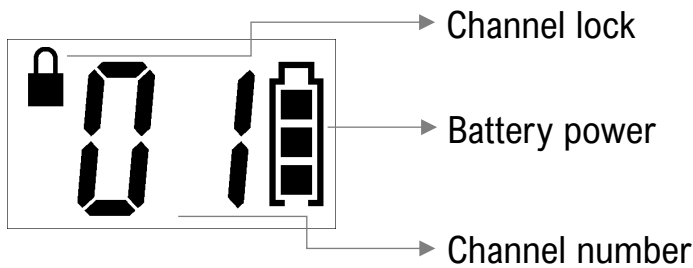
Group Guiding System

Interface

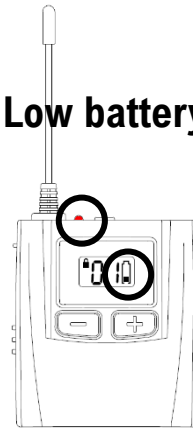


- ① Antenna
- ② Display
- ③ +/- button
- ④ Lanyard hole
- ⑤ Battery compartment (AA*1)
- ⑥ 3.5 mm mic jack (TS)
- ⑦ Inbuilt mic
- ⑧ Power/Mute button
- ⑨ LED signal indicator
- ⑩ 3.5 mm earphone jack (TRS)
- ⑪ Power button

Display



Low battery

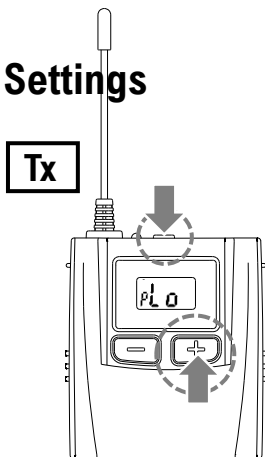


Change battery when red signal indicator lights up and only one block shows up on battery icon.

LED signal indicator

	Blue	Red	Steady	Flash	OFF	Flashing Orange
Tx	Sufficient power	Low power	Device is on	Mic muted	Device is off	Channel unification under process
Rx			Device is on and in the group	-	Device is on but out of the group or Device is off	-

Settings

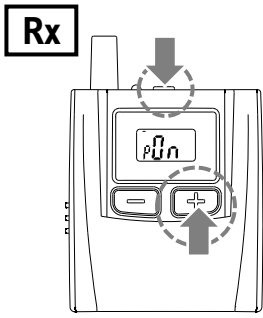


Adjust Tx settings upon preference before tour.

- ① RF power: Lo / Hi (Hi for larger operating range)
- ② Mic volume (sensitivity): 1 / 2 / 3 (3 is max)

- Press and hold **+** to power on (⏻).
- RF-power screen **PL0** shows up. Adjust it via **+** **=**, then press **⏻** to confirm and enter next setting.
- Mic-volume screen **u 2** shows up afterwards. Adjust it via **+** **=**. Leave with a press of **⏻**.

Group Guiding System



Adjust **Rx** settings upon preference before tour.

- ① Power saving: On / OF (auto off if no Tx signal for 20 mins)
- Press and hold **+** to power on (⏻).
 - Power-saving screen 00n shows up. Adjust it via **+** **=**. Leave with a press of ⏻.

■ Remote channel unification (remote grouping)

This function is useful if quick grouping is needed.


- Step 1.** Ensure **Tx**'s group channel has been defined before remote grouping is executed.
- Step 2.** Press and hold both **+** and **=** for 5 sec. on **Tx** to activate channel unification.
- Step 3.** Orange signal indicator starts to flash. **Tx** is sending signal of channel unification.
- Step 4.** Power **Rx** on. When its display shows same channel as **Tx**'s and blue/red steady signal indicator shows up, it's been successfully channel unified.
- Step 5.** Press any button on **Tx** to leave remote grouping and start your tour after all members are channel unified successfully.

■ Operation

• Power on

Press and hold ⏻ for 1 sec. to power on.

• Select your group channel manually

Press and hold both **+** and **=** until icon  disappears (appr. 2 sec.). Select your channel via **+** **=** and confirm/leave with a press of ⏻.

• Mute Tx's mic

Short press ⏻ to temporarily mute or re-activate mic during tour.

• Adjust Rx's volume

Press **+** or **=** to adjust your earphone volume (level 1~15, default: 8) during tour.

 *Listening at high volume for long periods may damage your hearing.*

• Power saving (Rx)

Rx will be off automatically (LED indicator is off) if no **Tx** signal for 20 minutes.

• Power off

Press and hold ⏻ for 2 sec. to power off.

Group Guiding System

■ Specifications

Oscillation type	PLL Synthesized Control OSC
Frequency	863~865 MHz
Channel quantity	16
Operating range	~ 100 meters
Operating time	~ 18 hours @ alkaline battery
Battery	AA Alkaline or Ni-MH battery x 1
Mic/Earphone jack	3.5 mm
Dimensions (WHD)	60 x 90 x 20 mm
Weight	70 g (inc. battery)