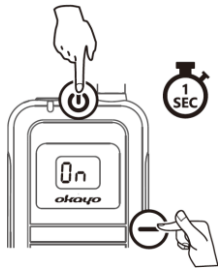


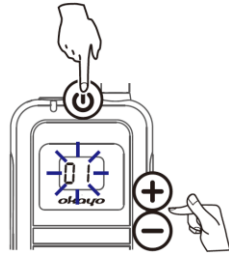
Quick Start Guide

Create your group *(Allow two transmitters to talk simultaneously)*

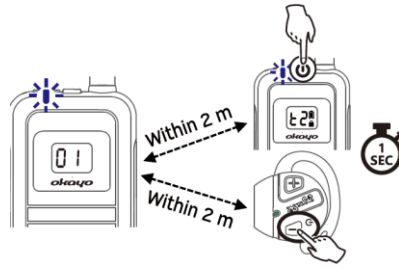
Next use



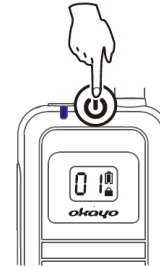
Take a transmitter as master. Press both ψ and $-$ to enter pairing. The channel number will start flashing.



Select a channel via $+$ or $-$ and confirm with a press on ψ or don't press anything (the channel will be approved automatically). The LED will flash.

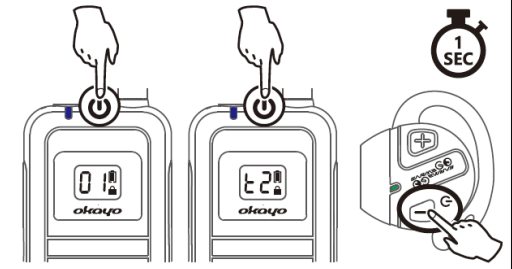


Press ψ on another transmitter if required and receiver(s) to turn on. Transmitter is paired when display shows t2. Receiver(s) is paired when flashing LED turns to steady.



Short press ψ on master to end pairing and start the tour!

* Second transmitter is muted, short press ψ to talk.

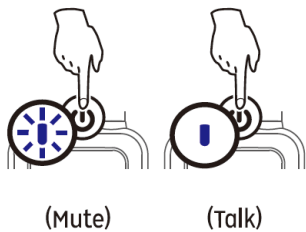


Press ψ to turn on both transmitter and receiver(s) if no change on group settings.

* The first transmitter to turn on is master.

General settings

Mute the mic



Short press ψ to mute, then short press again to talk. The LED flashes when the microphone is muted.

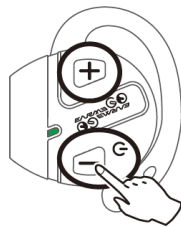
Adjust mic gain



Press $+$ to adjust mic volume among AU ~ U5.

* Available for outsource audio when set at AU, meanwhile, mic is muted.

Adjust volume



Press $+$ or $-$ to adjust volume level.

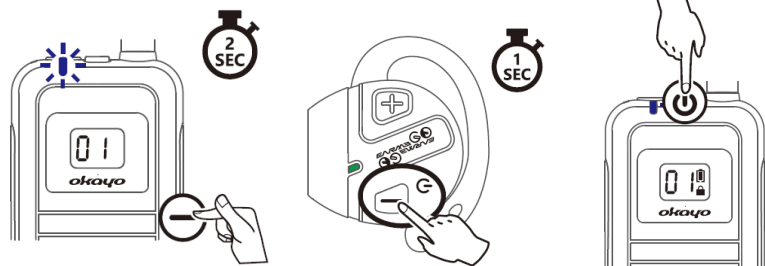
LED Status

Status \ Model	Transmitter	Receiver
Full power	Blue	Green
Low power	Red	
Pairing transmitted	Flash quickly	
Signal transmitted /received	Steady	
Muted	Flash slowly	-

Battery Status (transmitter)

> 50%	
< 50%	
Low	 *30 mins left

Join the group halfway!



Press - on master to enter pairing during the tour. The LED will start flashing.

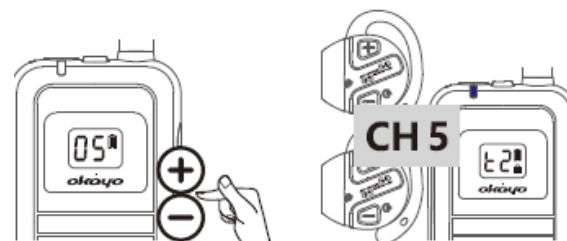
Press ⏻ on extra receiver(s) to turn on. Receiver(s) is paired when flashing LED turns to steady.

* If only one transmitter in the group, another transmitter allows to join as well.

Short press ⏻ on master to end pairing and start the tour!

Change to a new channel

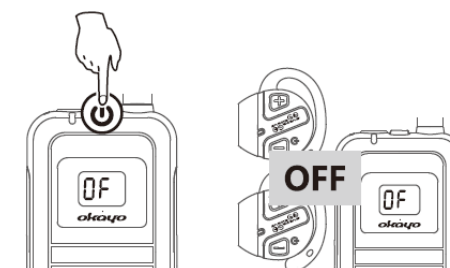
It's recommended when interference happens.



Press both + and - on second transmitter to unlock master. The lock symbol 🔒 will start flashing. Select a channel via + or -.

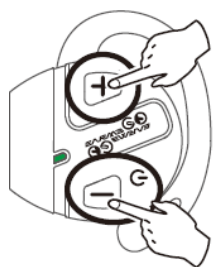
Leave 1 sec then new channel is confirmed. All receivers and (optional) second transmitter change to new channel accordingly.

Group OFF automatically



When master turns off, all receivers and (optional) second transmitter will turn off automatically.

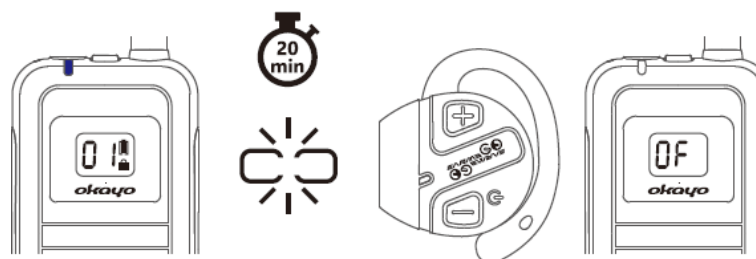
Battery check when OFF (receiver)



75%↑	Steady green
50~75%	Flash green
25~50%	Flash green & red
25%↓	Steady red *30 min left

Long press both + or - to check battery.

Power saving



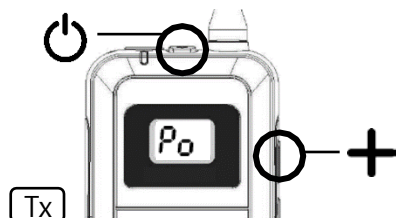
After 20 mints without receiving signal, receivers and (optional) second transmitter turn off automatically.


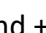



⚠ BATTERY WARNING ⚠

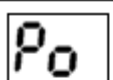
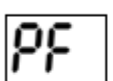
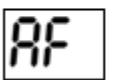
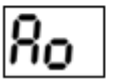
- Recharge the device regularly when battery power is lower than 50%.
- Make sure devices are fully charged before long-time storage.
- Stop using the device if overheating or abnormal battery life/behavior is found.
- Contact your supplier to further inspection or battery-change.

Settings

Before your group starts, adjust settings upon preference.



- Press and hold both  and  to power TX on.
- Each setting will show up in sequence as listed below.
- Adjust each setting via  or  and leave/confirm with a press of .
- TX will be powered on and at standby mode automatically after all settings are completed.

	RF Power (Hi /Lo): The higher the power, the larger the operating range.
	Remote Power Off (<u>On</u> /OF): Power T2 and receivers off remotely.
	Auto Power Off (<u>On</u> /OF): T2 will be powered off automatically if no T1 signal for 20 minutes.
	Auto Power On (<u>On</u> /OF): Auto power-on when being taken out of the charger.

Service and distribution



Mexpo Sp. z o.o.

ul. Kazimierza Pułaskiego 8

81-368 Gdynia

+48 58 550 10 25

www.systemtourguide.com

info@mexpo.eu